

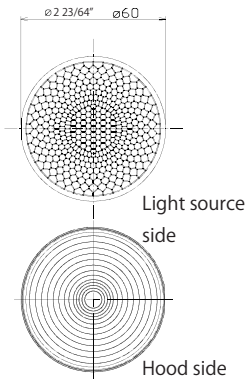
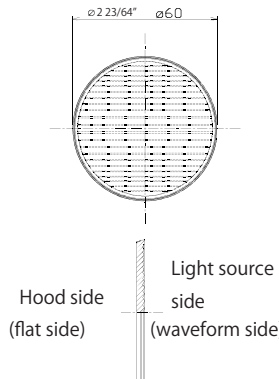
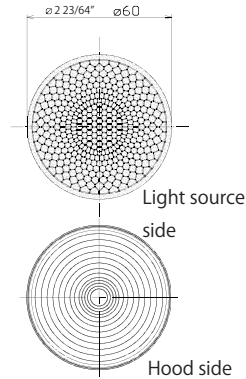
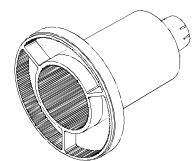
ModuleX[®] 100

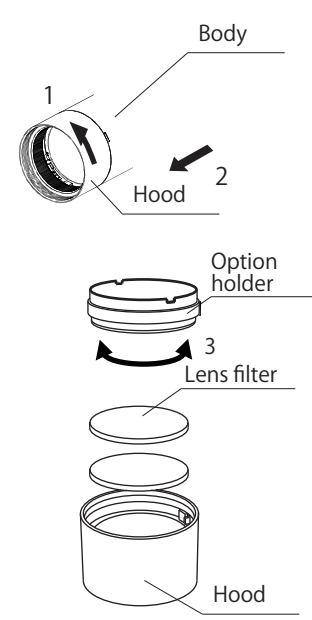
ModuleX Filter lighting[®] Options Installation guide

To install ModuleX safety

Read the instructions carefully before installation and commissioning! If you have found a defect of or have any questions product, please stop the construction. Please contact your dealer.
 Leave the instructions for users/customers for future reference!

Lens filter mountable models	Sharpener mountable models
MMP-100S/1H MMP-100A MMP-100S/3H MMP-100S/5H	MMP-100S/1H/W · M · S/1P/N MMP-100A/WC/SWF · FLF/N MMP-100S/3H/W · M · S/1P/N MMP-100A/MC/SWF · SMF · FLF/N MMP-100S/5H/W · M · S/1P/N MMP-100A/CC/SWF · SMF · FLF/N For narrow light distribution model only!

Lens filter			Sharpener
MLA-100/DF01, DS02 Full Diffuser Lens Filter, Semi Diffuser Lens Filter 	MLA-100/SF01, SS01 Spread Lens Filter, Semi Spread Lens Filter 	MLA-100/EC02 Edge Control Lens Filter 	MLA-100/SH01 Sharpener  For narrow light distribution model only!

Installation Details	Installation Diagram	Caution
<ol style="list-style-type: none"> Turn around the body. Pull out the body from the hood. Turn around the option holder, and put out. Put a filter in hood. Turn around the option holder, and put in. <p>Please attention that the sharpener lens is counted two pieces of filter lenses.</p> <p>Don't put in the filters than the rule number of pieces. Causes of falling and damage.</p>		<p>UP to 2 FILTERS</p> <p>Option holder</p> <p>Sharpener</p> <p>Sharpener</p>

Caution
<ul style="list-style-type: none"> Before carrying out maintenance and installation on the luminaire, disconnect from the mains supply. It can not be used for non-mountable models. There is a risk of injury at the edge part of the product. Please enough attention to handling. Please be securely attached. Failure to observe this may cause the part of the luminaire to fall. Please do not disassemble or modify the product.

(Contact)

Concord Lighting

5/F, Longbow House, 14-20 Chiswell Street, London, EC1Y 4TW, UK
 Tel : +44-01273-616649

(Manufacturer)

ModuleX Inc.

#21 AraiBldg, 1-20-6 Ebisu-Minami Shibuya-ku, Tokyo
 Tel : +81-3-5768-3131